



HANGCHA GROUP CO., LTD.

Factory site: 666 Xiangfu Road, Hangzhou, Zhejiang, China (311305)

Tel: +86-571-88926735 88926755
Fax: +86-571-88926789 88132890

sales@hcforklift.com
www.hcforklift.com



Follow us on Facebook



Follow us on YouTube



Follow us on WeChat



Download "Hangcha Forklift" App



ISO45001
ISO45001:2018



ISO14001
ISO14001:2015



ISO9001
ISO9001:2015



HANGCHA trucks conform to the European Safety Requirements.

2025 VERSION | COPYRIGHT 2026/03

HANGCHA GROUP CO., LTD. reserves the right to make any changes without notice concerning colors, equipment, or specifications detailed in this brochure, or to discontinue individual models. The colors of trucks, delivered may differ slightly from those in brochures.



X Series Heavy IC Forklift Trucks

with capacities of 14,000 to 18,000kg

The World of Hangcha



X SERIES HEAVY IC FORKLIFT TRUCKS

The heavy load X series is extension of the new series of internal combustion counterbalance forklift truck developed by Hangcha independently, adopting the world advanced technologies based on the original products. Through the comprehensive upgrading of appearance molding, energy conservation, environmental protection, comfort, security and reliability, it will become the world-class forklift truck which can meet your overall demands.

CHARACTERISTICS

The truck has professional and entirely-new appearance, has great identifiable degree, has simple and smooth profiling and has great industrial aesthetics. The exposed parts are arranged in concealed manner, and the appearance is more concise.

The key parts are products of internationally well-known brands, have been utilized in the products of previous models, have been validated by the market, and are reliable and durable; The modular and standard design is applicable, the main parts are validated in advance and by steps, the truck has great maturity.



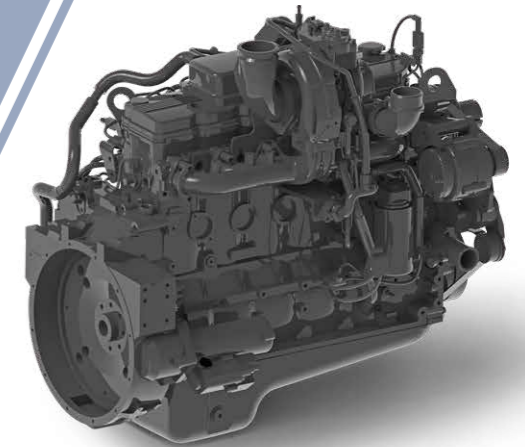
Easy/ Efficiency/ Economy



STAGE V & TIER 4F

HANGCHA with you at every stage
Efficient, reliable solutions for your demands

With Hangcha you can meet all Stage V/Tier 4f emissions standards which provides customer demands for value, innovation and performance. The technologies include common rail fuel systems, Turbocharged Inter-cooled selective catalytic reduction (SCR), diesel oxidation catalysts (DOC) and diesel particulate filters (DPF). Designed and optimised to every engine model, our forklift truck maximises efficiency and reliability.



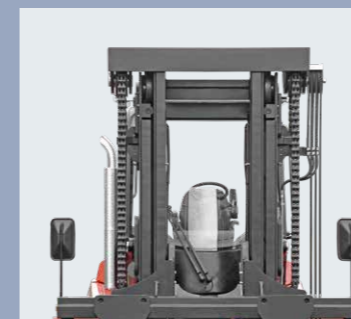
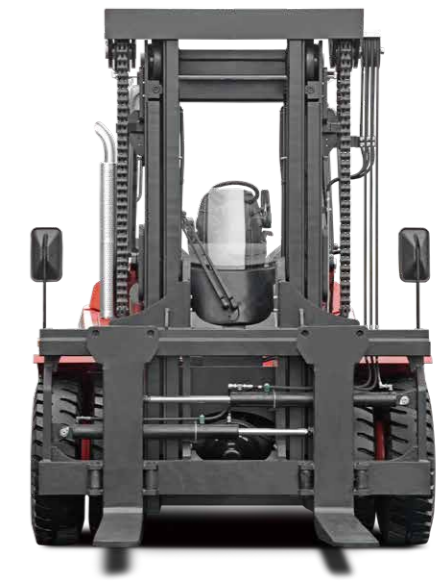
CUMMINS B6.7

High Performance

The performance is improved. The travel speed and lift speed are improved by 10%-20%. The body of the truck is reduced, and the flexibility is strengthened. Thanks to CAE (Computer Aided Engineering) technology, structural components are more balanced.

Comfort

With the new-style fully-suspended and overall-view cab. The profile of the truck is optimized; The vision is more excellent. The interior ornaments are formed, feeling is more comfortable; Shaped steel tube integral frame provides high strength and better sealing.



Excellent all round visibility is achieved by the overall design.



Thanks to the unique design, cab can be tilt without any tools, major service items can be reached easily by tilting the cabin, maximized access is possible.



Optional imaging system with front and rear camera, increasing the safety greatly.



ZF gear box with micro-electronic control provides for three-shift power shifting, travelling is stable and accurate.



Load sensing hydraulics provide high efficiency and energy saving, reducing hydraulic oil working temperature and also extending the life of hydraulic components and seals.



Anti-slip pedal provides high safety and easy maintenance.



Battery compartment is easy to open for easy maintenance.



The newly designed LCD instrument has more comprehensive functions and more stable performance. It can display the important information such as truck status and engine faults... So that the operator can understand the truck status more intuitively and facilitate maintenance.



Suspended seat with fingertip system that can be easily adjusted to suit each customer.



KESSLER heavy-duty traction axle, two-stage deceleration; Wet brake, maintenance-free; Hydraulic release spring action parking brake, safe and reliable.

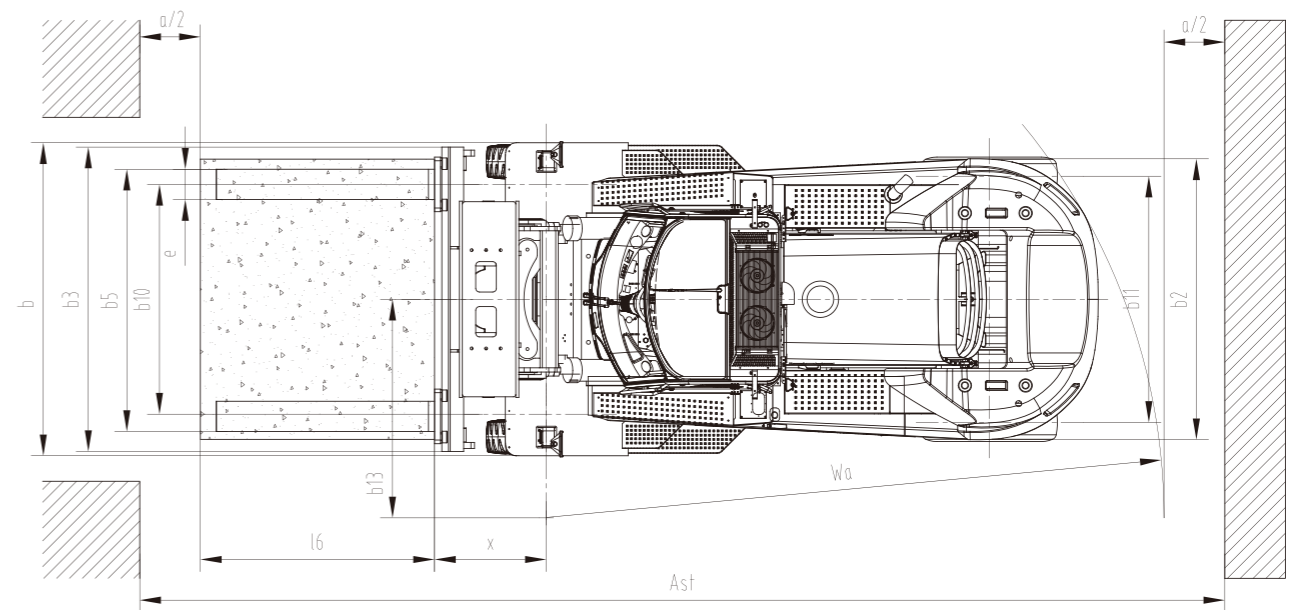
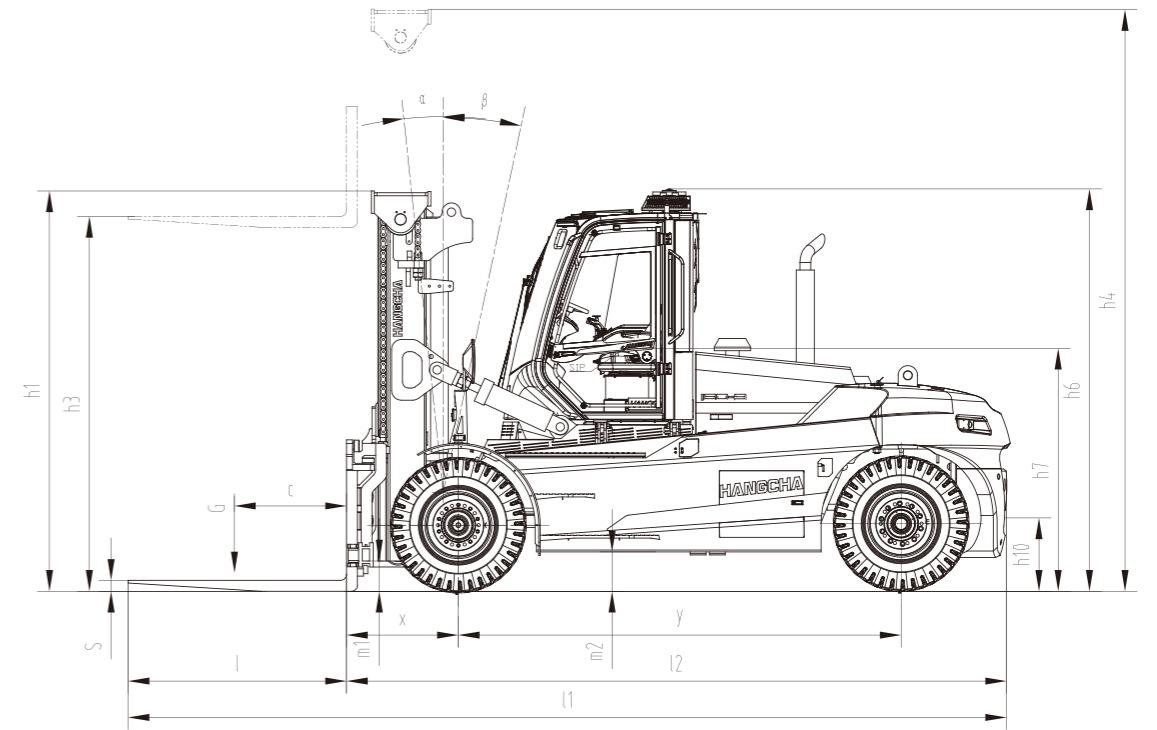
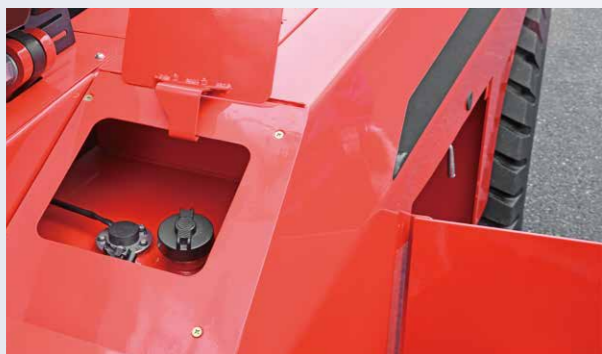


Reliability

Increased digitization, additional central controller, CAN-bus structure, built-in multiple diagnostic, management functions and fault alarm are convenient for diagnosis.

Precise Operation

Integrated fingertip system, pilot control, smart and accurate; Hydraulic brake curve optimization, smooth and easy control.



X Series 14-18t Diesel Counterbalanced Trucks

		HANGCHA GROUP CO.,LTD.																											
Distinguishing mark	1.1	CPCD140-XRW25G		CPCD140-XRH9G		CPCD140-XRAW25G		CPCD140-XRAH9G		CPCD160-XRW25G		CPCD160-XRH9G		CPCD160-XRAW25G		CPCD160-XRAH9G		CPCD180-XRW25G		CPCD180-XRH9G		CPCD180-XRAW25G		CPCD180-XRAH9G					
	1.2	Diesel		Diesel		Diesel		Diesel		Diesel		Diesel		Diesel		Diesel		Diesel		Diesel		Diesel		Diesel		Diesel			
1.3	Drive: electric (battery or mains), diesel, petrol, fuel gas	Seated																											
1.4	Operator type: hand, pedestrian, standing, seated, order-picker	Seated																											
1.5	Rated capacity/rated load	14000		14000		14000		16000		16000		16000		16000		18000		18000		18000		18000		18000		18000			
1.6	Load centre distance	900		1200		900		900		600		1200		900		1200		900		900		900		1200		1200			
1.8	Load distance, centre of drive axle to fork	920		920		920		920		920		940		940		940		940		940		940		960		960			
1.9	Wheelbase	3650		3650		3650		3650		3650		3750		3750		3750		3750		3750		3750		4000		4000			
Weight	2.1	Service Weight	20500		22100		21500		20900		24300		24500		25600		25600		25600		25600		25600		25600		25600		
Tyres, chassis	3.1	Tyres: solid rubber, superelastic, pneumatic, polyurethane	Pneumatic																										
	3.2	Tyre size, front	12.00-20-20PR		12.00-20-20PR		12.00-20-20PR		12.00-20-20PR		12.00-24-20PR		12.00-24-20PR		12.00-24-20PR		12.00-24-20PR		12.00-24-20PR		12.00-24-20PR		12.00-24-20PR		12.00-24-20PR		12.00-24-20PR		
3.3	Tyre size, rear	12.00-20-20PR		12.00-20-20PR		12.00-20-20PR		12.00-20-20PR		12.00-24-20PR		12.00-24-20PR		12.00-24-20PR		12.00-24-20PR		12.00-24-20PR		12.00-24-20PR		12.00-24-20PR		12.00-24-20PR		12.00-24-20PR		12.00-24-20PR	
3.5	Wheels, number front / rear (x = driven wheels)	4x/2																											
3.6	Tread, front	b10 (mm)		1894		1894		1894		1894		2013		2013		2013		2013		2013		2013		2013		2013		2013	
3.7	Tread, rear	b11 (mm)		2030		2030		2030		2030		2200		2200		2200		2200		2200		2200		2200		2200		2200	
Dimensions	4.1	Tilt of mast/fork carriage forward/backward	α/β(°)																										
	4.2	Height, mast lowered	h1 (mm)		3300		3300		3300		3400		3400		3400		3400		3400		3400		3400		3400		3400		
	4.3	Free lift	h2 (mm)		90		95		90		110		110		110		110		110		110		110		110		110		
	4.4	Lift	h3 (mm)		3000		3000		3000		3000		3000		3000		3000		3000		3000		3000		3000		3000		
	4.5	Height, mast extended	h4 (mm)		4800		4800		4800		4900		4900		4900		4900		4900		4900		4900		4900		4900		
	4.7	Height of overhead cabin	h5 (mm)		3300		3300		3300		3360		3360		3360		3360		3360		3360		3360		3360		3360		
	4.8	Seat height relating to SIP	h7 (mm)		2010		2010		2010		2070		2070		2070		2070		2070		2070		2070		2070		2070		
	4.12	Coupling height	h10 (mm)		550		550		550		600		600		600		600		600		600		600		600		600		
	4.19	Overall length	l1 (mm)		7270		7910		7270		8030		8030		8030		8030		8030		8030		8030		8030		8030		
	4.20	Length to face of forks	l2 (mm)		5470		5470		5470		5470		5590		5590		5590		5590		5590		5590		5590		5590		
	4.21	Overall width	b1/b2 (mm)		2580/2320		2580/2320		2580/2320		2700/2500		2700/2500		2700/2500		2700/2500		2700/2500		2700/2500		2700/2500		2700/2500		2700/2500		
	4.22	Fork dimensions	s/e/l (mm)		90*250*1800		95*250*2440		90*250*1800		90*250*1500		110*250*2440		110*250*1820		110*250*2440		110*250*2440		110*250*2440		110*250*2440		110*250*2440		110*250*2440		
	4.24	Fork-carriage width	b3 (mm)		2510		2510		2510		2640		2640		2640		2640		2640		2640		2640		2640		2640		
	4.25	Distance between fork-arms	b5 (mm)		750/2300		750/2300		750/2300		750/2300		750/2400		750/2400		750/2400		750/2400		750/2400		750/2400		750/2400		750/2400		
	4.31	Ground clearance, laden, below mast	m1 (mm)		250		250		250		250		250		250		250		250		250		250		250		250		
	4.32	Ground clearance, centre of wheelbase	m2 (mm)		325		325		325		325		370		370		370		370		370		370		370		370		
	4.34.1	Aisle width with load length 1800mm	Aa1 (mm)		7870		8510		7870		8040		8040		8040		8040		8040		8040		8040		8040		8040		
4.34.2	Aisle width with load length 2400mm	Aa2 (mm)		8470		8510		8470		8640		8640		8640		8640		8640		8640		8640		8640		8640			
4.35	Turning radius	Wa (mm)		4950		4950		4950		5100		5100		5100		5100		5100		5100		5100		5100		5100			
4.36	Minimum pivoting point distance	b13 (mm)		1800		1800		1800		1800		1800		1800		1800		1800		1800		1800		1800		1800			
Performance data	5.1	Travel speed, laden/unladen	km/h		26/30		26/30		26/30		26/29		26/29		26/29		26/29		26/29		26/29		26/29		26/29				
	5.2	Lift speed, laden/unladen	m/s		0.35/0.40		0.35/0.40		0.35/0.40		0.35/0.40		0.33/0.37		0.33/0.37		0.33/0.37		0.33/0.37		0.33/0.37		0.33/0.37		0.33/0.37				
	5.3	Lowering speed, laden/unladen	m/s		0.38/0.35		0.38/0.35		0.38/0.35		0.38/0.35		0.36/0.33		0.36/0.33		0.36/0.33		0.36/0.33		0.36/0.33		0.36/0.33		0.36/0.33				
	5.5	Drawbar pull, laden/unladen	N		75000/15000		150000/75000		150000/75000		150000/75000		125000/65000		125000/65000		125000/65000		125000/65000		125000/65000		125000/65000		125000/65000				
	5.7	Gradeability, laden/unladen	%		28		28		28		25		25		25		25		25		25		25		25		25		
5.10	Service brake	Wet disc brake																											
	Parking brake	spring applied, hydraulic release multi-disc brake																											
Combustion-engine	7.1	Engine manufacturer/type	CUMMINS/QSB6.7-C190		CUMMINS/B6.7		CUMMINS/QSB6.7-C190		CUMMINS/B6.7		CUMMINS/QSB6.7-C190		CUMMINS/B6.7		CUMMINS/QSB6.7-C190		CUMMINS/B6.7		CUMMINS/QSB6.7-C190		CUMMINS/B6.7		CUMMINS/QSB6.7-C190		CUMMINS/B6.7				
	7.2	Engine power	kW		142		149		142		149		142		149		142		149		142		149		142		149		
	7.3	Rated speed	r/min		2300		2200		2300		2200		2300		2200		2300		2200		2300		2200		2300		2200		
	7.4	Number of cylinders/displacement	(-)/ (cm³)		6/6700		6/6700		6/6700		6/6700		6/6700		6/6700		6/6700		6/6700		6/6700		6/6700		6/6700		6/6700		
	7.9	Vehicle electrical system voltage	V		24		24		24		24		24		24		24		24		24		24		24		24		
	7.10	Battery voltage/nominal capacity	V/Ah		2*12/120		2*12/120		2*12/120		2*12/120		2*12/120		2*12/120		2*12/120		2*12/120		2*12/120		2*12/120		2*12/120		2*12/120		
		Rated torque	N·m/r/min		930/1500		990/1300		930/1500		990/1300		930/1500		990/1300		930/1500		990/1300		930/1500		990/1300		930/1500		990/1300		
		Transmissions Manufacturer	ZF		ZF		ZF		ZF		ZF		ZF		ZF		ZF		ZF		ZF		ZF		ZF		ZF		
		Transmissions Type	3WG161		3WG161		3WG161		3WG161		3WG161		3WG171		3WG171		3WG171		3WG171		3WG171		3WG171		3WG171		3WG171		
		Stage FWD/RVS	3/3		3/3		3/3		3/3		3/3		3/3		3/3		3/3		3/3		3/3		3/3		3/3		3/3		
Addition data	10.1	Operating pressure for attachments	Mpa		25		25		25		25		25		25		25		25		25		25		25				
	10.2	Oil volume for attachments	l/min		265		265		265		265		265		265		265		265		265		265		265				
	10.3	Hydraulic Tank - capacity (drain & refill)	liter		320		320		320		320		360		360		360		360		360		360		360				
	10.4	Fuel tank capacity	liter		320		280		320		280		320		280		320		280		320		280		320				
	10.7	Sound pressure level at the driver's seat	dB (A)		78		78		78		78		78		78		78		78		78		78		78				

14-18t X series mast:(Pneumatic)

Type	Model	Max. fork height	Overall height				Tilt Range	Capacity			
			Lowered		Extended			Load capacity at			
			16T/1200	Others	16T/1200	Others		900mm	1200mm	900/1200mm	600/900/1200mm
Wide view mast	GXR140/141/160/X180/163/180/183M300	3000	3400	3300	4900	4800	6/12	14000	14000	16000	18000
	GXR140/141/160/X180/163/180/183M330	3300	3550	3450	5200	5100	6/12	14000	14000	16000	18000
	GXR140/141/160/X180/163/180/183M360	3600	3700	3600	5500	5400	6/12	14000	14000	16000	18000
	GXR140/141/160/X180/163/180/183M400	4000	3900	3800	5900	5800	6/12	14000	14000	16000	18000
	GXR140/141/160/X180/163/180/183M430	4300	4100	4000	6250	6150	6/12	14000	14000	16000	18000
	GXR140/141/160/X180/163/180/183M450	4500	4200	4100	6450	6350	6/12	14000	14000	16000	18000
	GXR140/141/160/X180/163/180/183M480	4800	4350	4250	6750	6650	6/6	14000	14000	16000	18000
	GXR140/141/160/X180/163/180/183M500	5000	4450	4350	6950	6850	6/6	14000	14000	16000	18000
	GXR140/141/160/X180/163/180/183M550										

Features

Transmission	Standard	Options
Pneumatic tyre	●	
Solid tyre		○
Steering system		
Fully hydraulic power steering	●	
Centralized lubrication system (machine)		○
Automatic Lubrication System		○
Power system		
Extended exhaust pipe	●	
Lockable fuel cap		○
Spark arrester		○
Pre-cleaner air filter	●	
Truck		
Tow pin	●	
Electrostatic discharge chain		○
Rear-view mirror on right & left mudguards	●	
Operating system		
Integrated joystick	●	
Adjustable steering column	●	
Adjustable armrest	●	
Hydraulic system		
Variable hydraulic pump system	●	
Four-way hydraulic valve	●	
Cab		
Cabin	●	
Climate control system (air-conditioning and heater)	●	
Manual tilting cabin	●	
Electric tilting cabin		○
Radio	●	
Sunshade	●	
USB charging interface	●	
Clothes hanger hook	●	
Reading light	●	
1 x 24V power supply		○
1 x 12V power supply		○
License plate frame		○
Fan	●	
Lifting components		
Duplex mast	●	
Standard lifting height	●	
Optional lifting height		○
Standard fork	●	
Other fork specifications		○
Fork hook on type		○
Hydraulic Fork Positioning	●	
Independently-adjustable fork		○
Built in Sideshift	●	
Integrated sideshift		○
Emergency descent		○

Electrical System	Standard	Options
Operator Presense System (OPS) with buzzer	●	
LCD display screen	●	
Main power switch	●	
Emergency power off switch	●	
Maintenance-free 24V lead acid battery	●	
Reverse buzzer	●	
High decible horn	●	
LED lights (entire vehicle)	●	
2 x Working light on front mudguard	●	
2 x Front working light on top of cabin	●	
2 x Rear working light on top of cabin		○
2 x Working light on both sides of mast		○
Reverse sensor	●	
rearview camera system		○
rearview camera system with memory		○
front & rearview camera system		○
front & rearview camera system with memory		○
4 directions camera system with single display		○
4 directions camera recording system with single display		○
In cabin CCTV		○
Rear blue safety light		○
Front and rear blue safety light		○
Three sided blue danger zone light		○
Overspeed alarm		○
Speed limitation		○
Voice reverse alarm		○
Automatic fire suppression system		○
Two-way radio		○
Weight indicator in display	●	
Flashing warning light (non rotating) with control switch	●	
Tyre pressure monitoring	●	
On-board diagnostics system	●	
Engine fault alarm	●	
Engine oil pressure alarm indicator	●	
Air filter warning indicator	●	
Water temperature indicator	●	
Hour meter	●	
Battery charge indicator	●	
Low hydraulic pressure alarm indicator	●	
Hydraulic oil filter warning indicator	●	
Oil gauge	●	
Fuel-water separator warning indicator	●	
Oil temperature gauge	●	
Pre-heat indicator	●	
Drive mode indicator	●	
Parking brake indicator	●	
Service indicator	●	
Other		
Standard color	●	
User defined colour		○
Fire extinguisher (2kg/4kg)		○
Vehicle toolkit	●	
FIMS(Fleet intelligent management system)	●	
Heating pack for the cold region		○

POWERFUL TRUCKS

